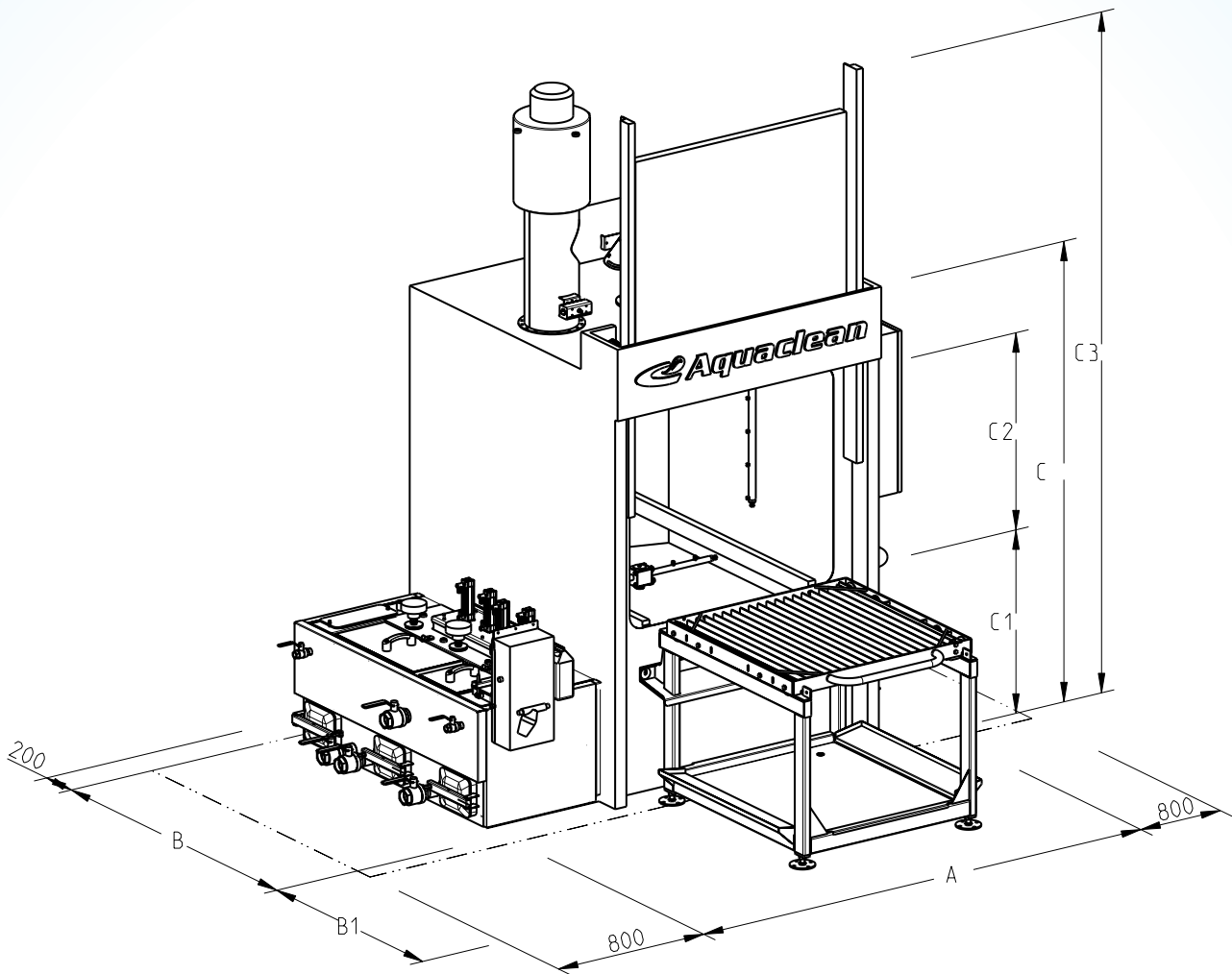


Main technical data for an aqueous spray cleaning machine, for cleaning heights 900, 1200, 1500 and 1800 mm.



MAIN DIMENSIONS (mm)		AC-1.3-3LD (C2=900)	AC-1.3-C12-3LD (C2=1200)	AC-1.3-C15-3LD (C2=1500)	AC-1.3-C18-3LD (C2=1800)
Width	A	2860	2860	2860	2860
Depth	B	1690	1690	1690	1690
	B1	1170	1170	1170	1170
Height	C	2320	2720	3020	3320
	C1	910	910	910	910
	C2	900	1200	1500	1800
	C3	3390	3990	4590	5190
Load Carriage	L x W	1000	1000	1000	1000



TECHNICAL DATA		AC-1.3-3LD (C2=900)	AC-1.3-C12-3LD (C2=1200)	AC-1.3-C15-3LD (C2=1500)	AC-1.3-C18-3LD (C2=1800)
Tank volume l	Tank 1	400	400	400	400
	Tank 2	300	300	300	300
	Tank 3	300	300	300	300
Heating capacity kW	Tank 1	24	24	24	24
	Tank 2	12	12	12	12
	Tank 3	12	12	12	12
Pump flow l/min	Stage 1	350	400	450	540
	Stage 2	300	330	370	400
	Stage 3	300	330	370	400
Pump pressure bar	Stage 1	4	4	4	4.5
	Stage 2	2.5	2.5	2.5	2.5
	Stage 3	2.5	2.5	2.5	3.0
Pump motor kW	Stage 1	5.5	5.5	5.5	5.5
	Stage 2	3.0	3.0	3.0	3.0
	Stage 3	3.0	3.0	3.0	3.0
Max. component dimensions	L x W mm	1000	1000	1000	1000
	Height mm	900	1200	1500	1800
	Diam. mm	1100	1100	1100	1100
	Weight kg	800	800	800	800
Machine weight	kg	1500	1600	1700	1800
Connection power	kW	37	37	37	37