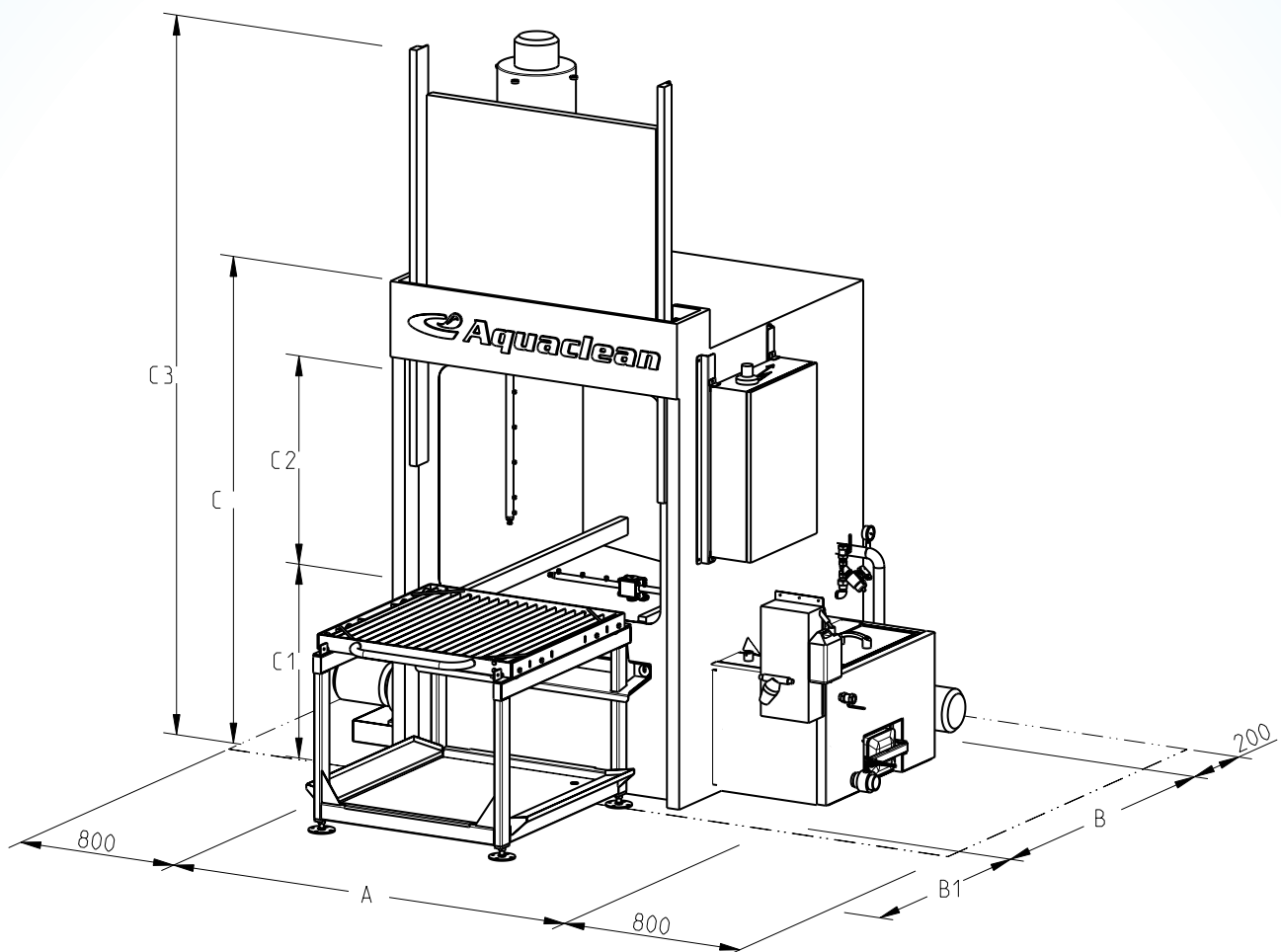


Main technical data for an aqueous spray cleaning machine, for cleaning heights 900, 1200, 1500 and 1800 mm.



MAIN DIMENSIONS (mm)		AC-1.3LD (C2=900)	AC-1.3-C12LD (C2=1200)	AC-1.3-C15LD (C2=1500)	AC-1.3-C18LD (C2=1800)
Width	A	2250	2250	2250	2250
	B	1690	1690	1690	1690
Depth	B1	1170	1170	1170	1170
	C	2320	2720	3020	3320
Height	C1	910	910	910	910
	C2	900	1200	1500	1800
	C3	3390	3990	4590	5190
Load Carriage	L x W	1000	1000	1000	1000



TECHNICAL DATA		AC-1.3LD (C2=900)	AC-1.3-C12LD (C2=1200)	AC-1.3-C15LD (C2=1500)	AC-1.3-C18LD (C2=1800)
Tank volume	l	830	830	830	830
Heating capacity	kW	12 or 24	12 or 24	12 or 24	12 or 24
Pump flow	l/min	350	400	450	540
Pump pressure	bar	4.0	4.0	4.0	4.5
Pump motor	kW	5.5	5.5	5.5	7.5
Max. component dimensions	L x W ^{mm}	1000	1000	1000	1000
	Height ^{mm}	900	1200	1500	1800
	Diam. ^{mm}	1100	1100	1100	1100
	Weight ^{kg}	800	800	800	800
Machine weight	kg	1300	1380	1460	1540
Connection power	kW	19 or 25	19 or 25	19 or 25	19 or 25