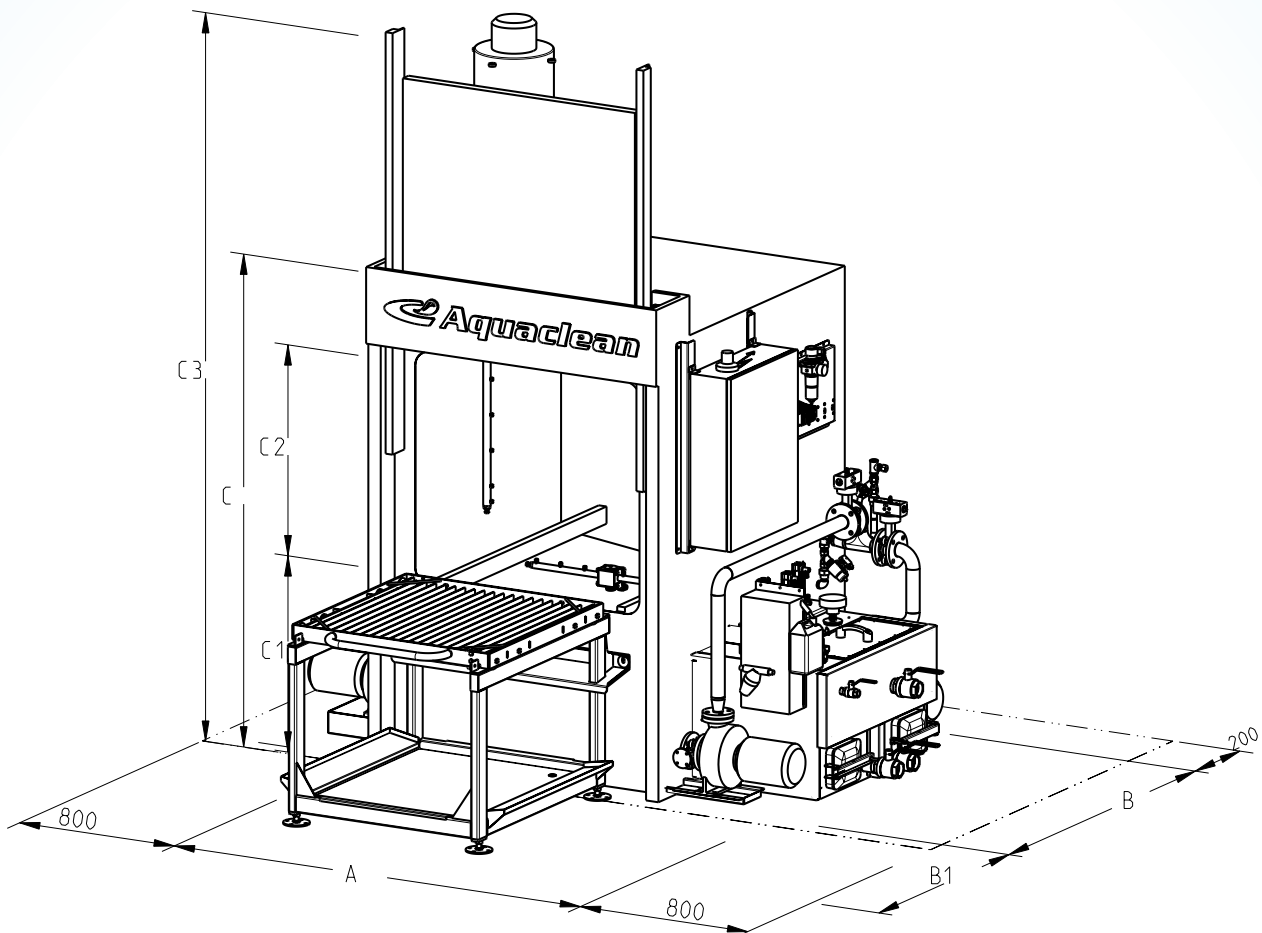
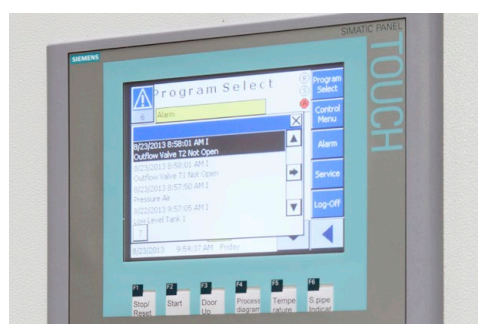
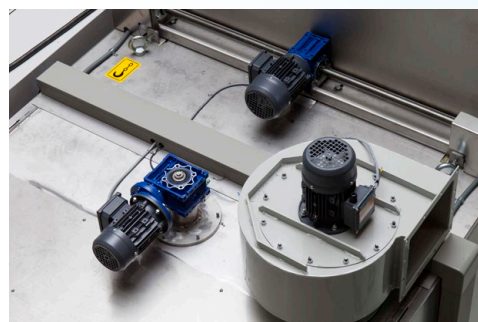


Main technical data for an aqueous spray cleaning machine, for cleaning heights 900, 1200, 1500 and 1800 mm.



MAIN DIMENSIONS (mm)		AC-2.5-2LD (C2=900)	AC-2.5-C12-2LD (C2=1200)	AC-2.5-C15-2LD (C2=1500)	AC-2.5-C18-2LD (C2=1800)
Width	A	3545	3545	3545	3545
Depth	B	2790	2790	2790	2790
	B1	2270	2270	2270	2270
Height	C	2415	2715	3015	3315
	C1	910	910	910	910
	C2	900	1200	1500	1800
	C3	3390	3990	4590	5190
Load Carriage	L x W	2000	2000	2000	2000



TECHNICAL DATA		AC-2.5-2LD (C2=900)	AC-2.5-C12-2LD (C2=1200)	AC-2.5-C15-2LD (C2=1500)	AC-2.5-C18-2LD (C2=1800)
Tank volume l	Tank 1	1400	1400	1400	1400
	Tank 2	1100	1100	1100	1100
Heating capacity kW	Tank 1	48	48	48	48
	Tank 2	24	24	24	24
Pump flow l/min	Stage 1	620	670	720	770
	Stage 2	480	520	560	600
Pump pressure bar	Stage 1	5.0	5.0	4.8	4.8
	Stage 2	3	3	2.8	2.8
Pump motor kW	Stage 1	11	11	11	11
	Stage 2	4.0	4.0	4.0	4.0
Max. component dimensions	L x W ^{mm}	2000	2000	2000	2000
	Height ^{mm}	900	1200	1500	1800
	Diam. ^{mm}	2300	2300	2300	2300
	Weight ^{kg}	2000	2000	2000	2000
Machine weight	kg	3000	3100	3200	3400
Connection power	kW	77	77	77	77